

# The Differential Analyzer

Presentation by  
Thomas J. Cuchta

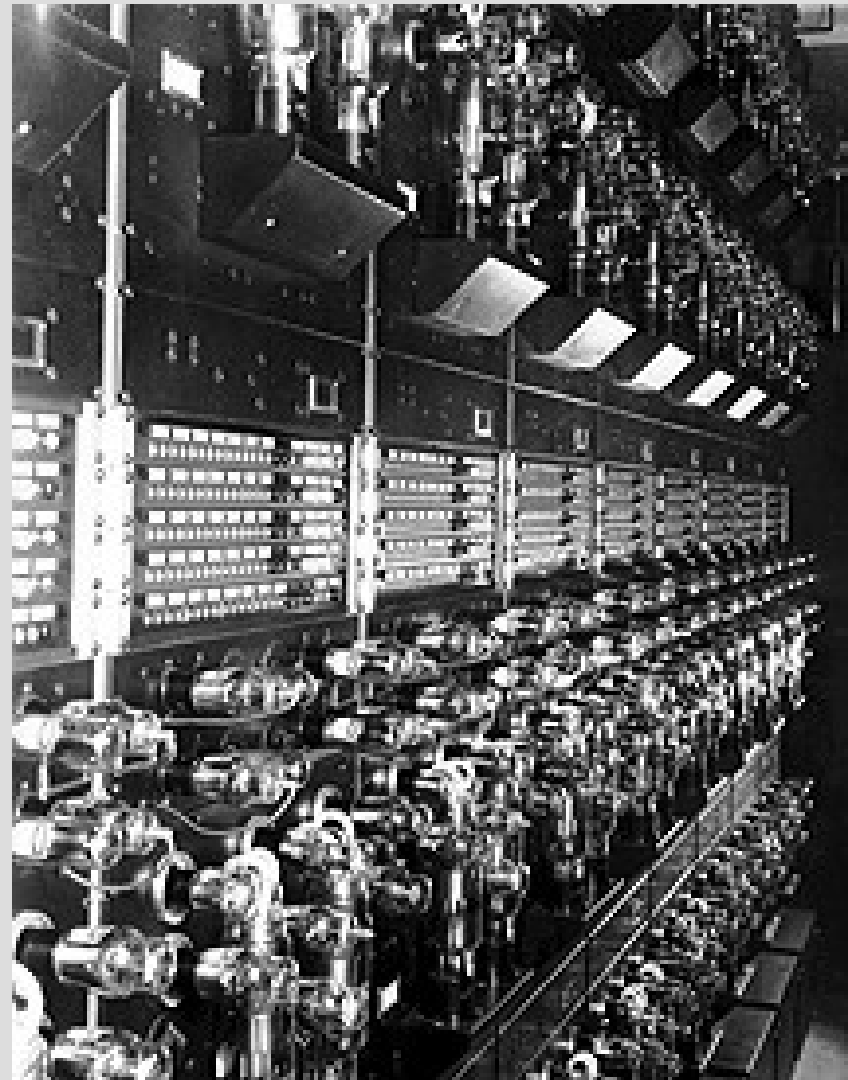
The Marshall University Differential Analyzer Team

Thomas Cuchta, John Fishman, Anthony Justice, Saeed Keshavarzian, Tue Ly, Richard Merritt, Mike Morrison, Stacy Scudder, Caleb Sotak, Daniel Velazquez, and Lin Yuan

Advisors

Dr. Bonita Lawrence and Dr. Clayton Brooks

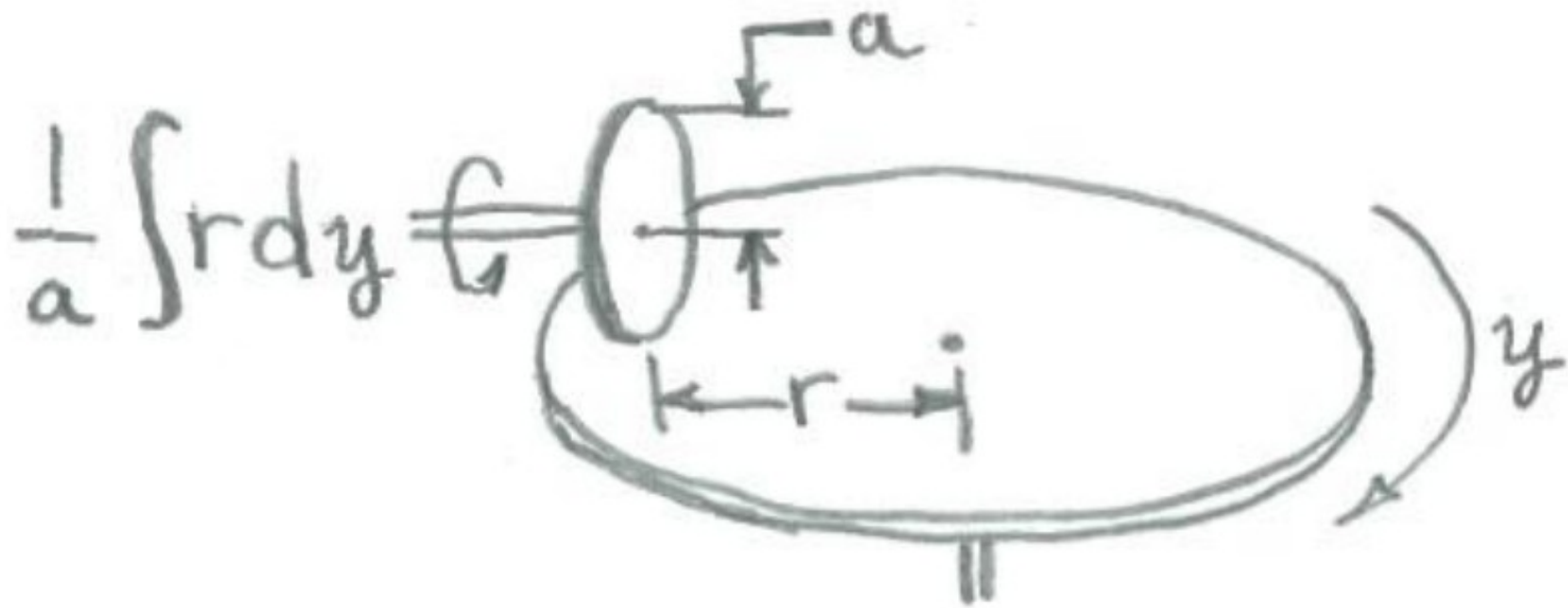
# Rockefeller Differential Analyzer



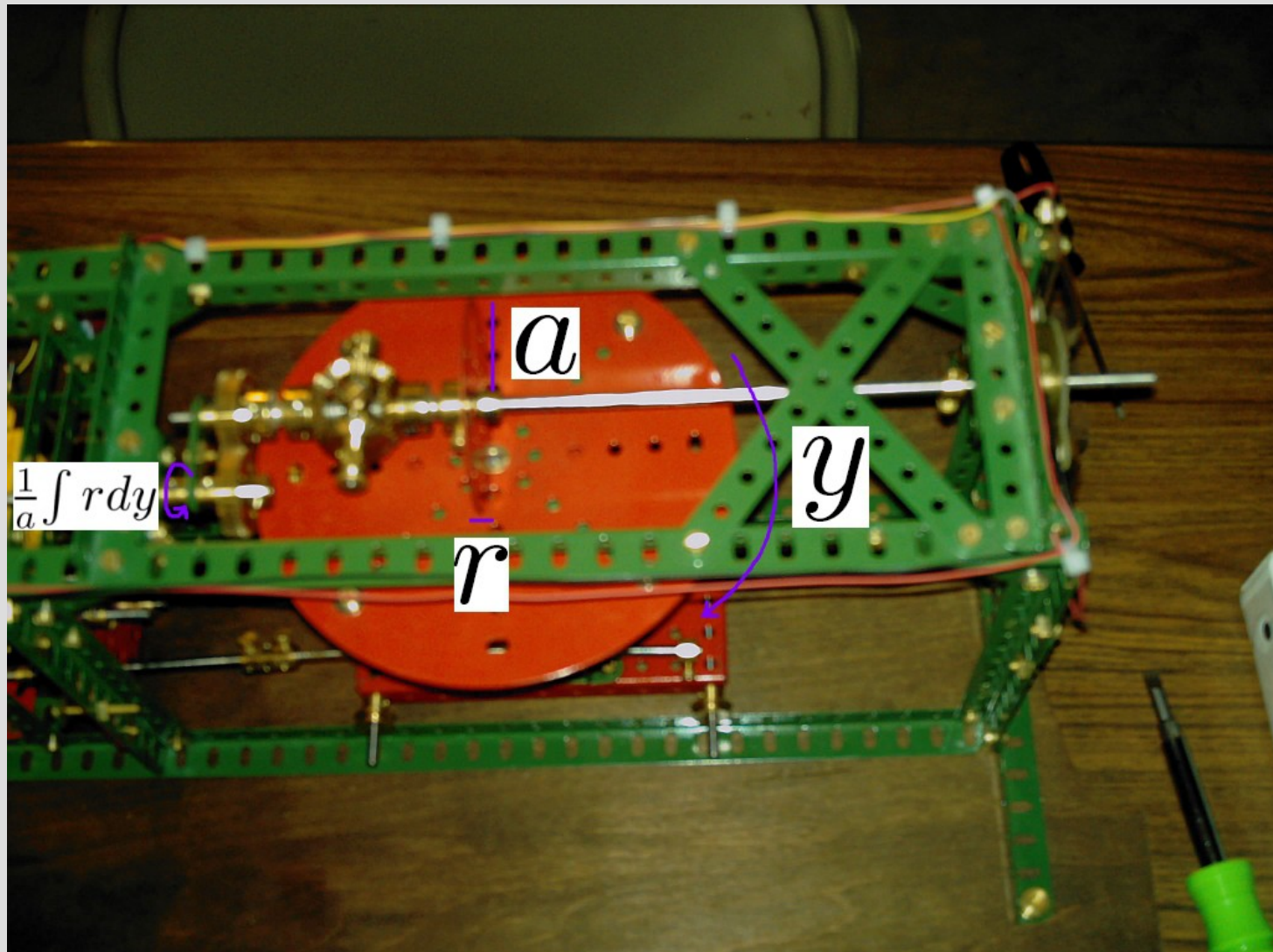
# Hartree and Porter



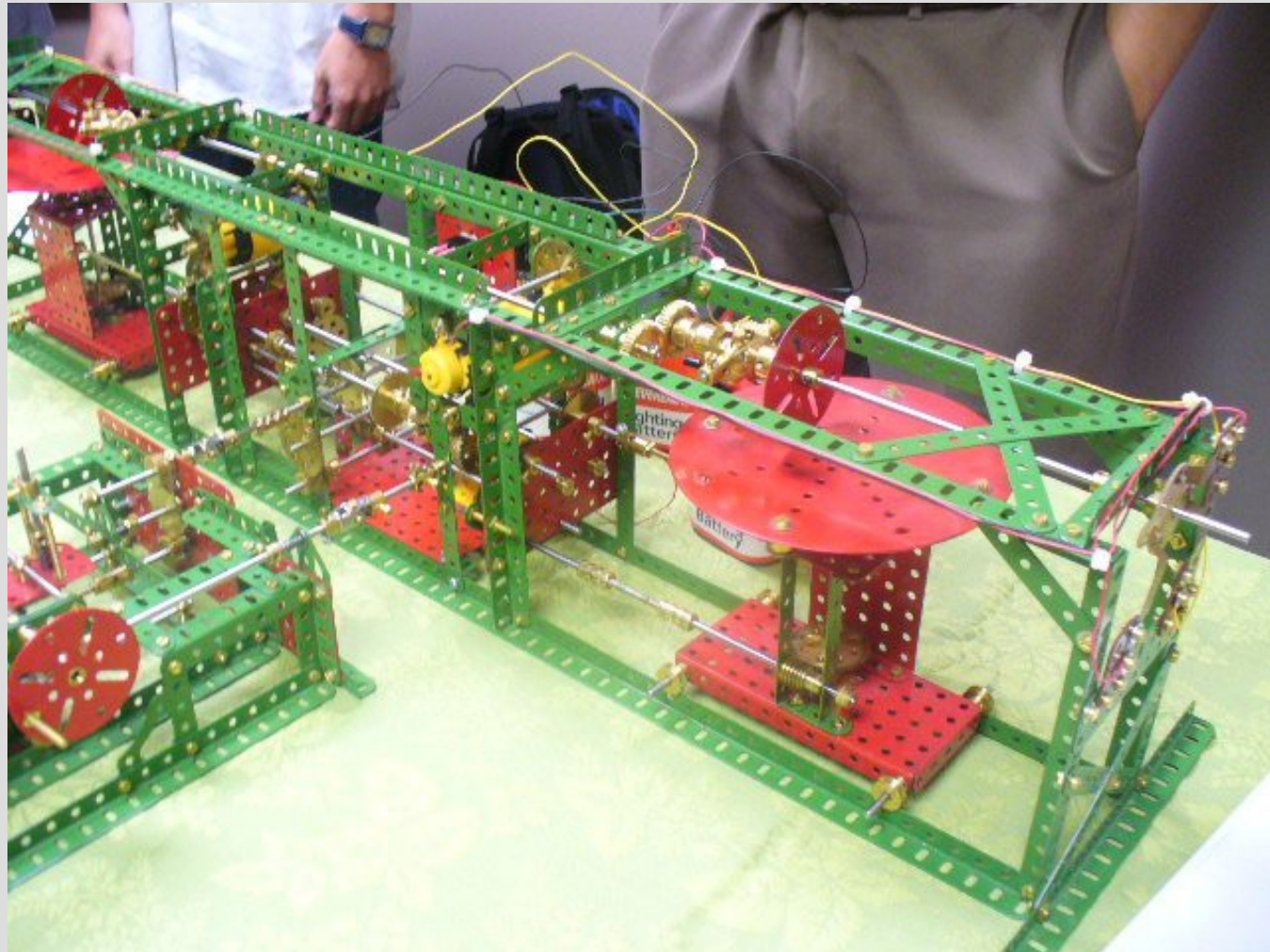
# Mechanical Integration



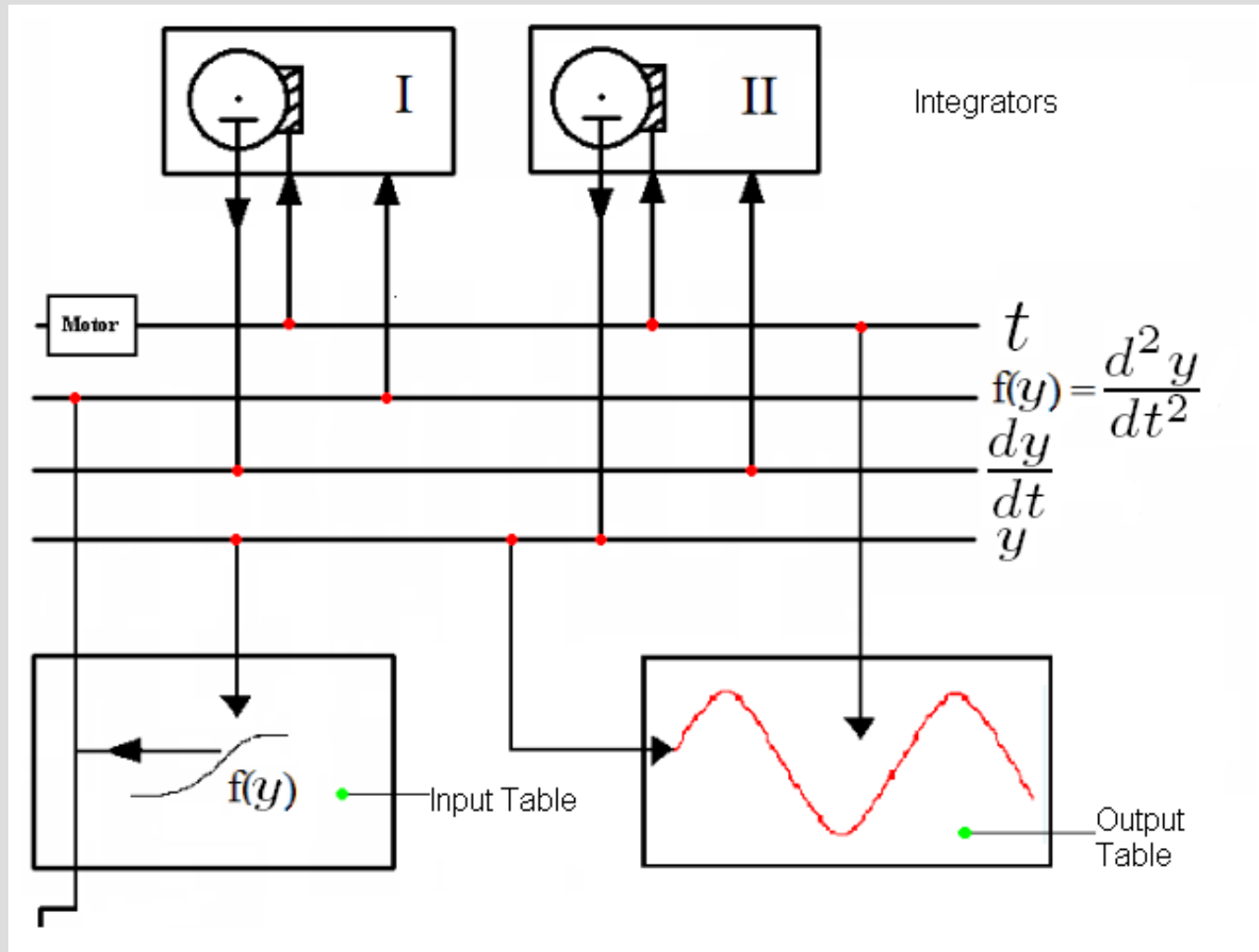
# Mechanical Integration



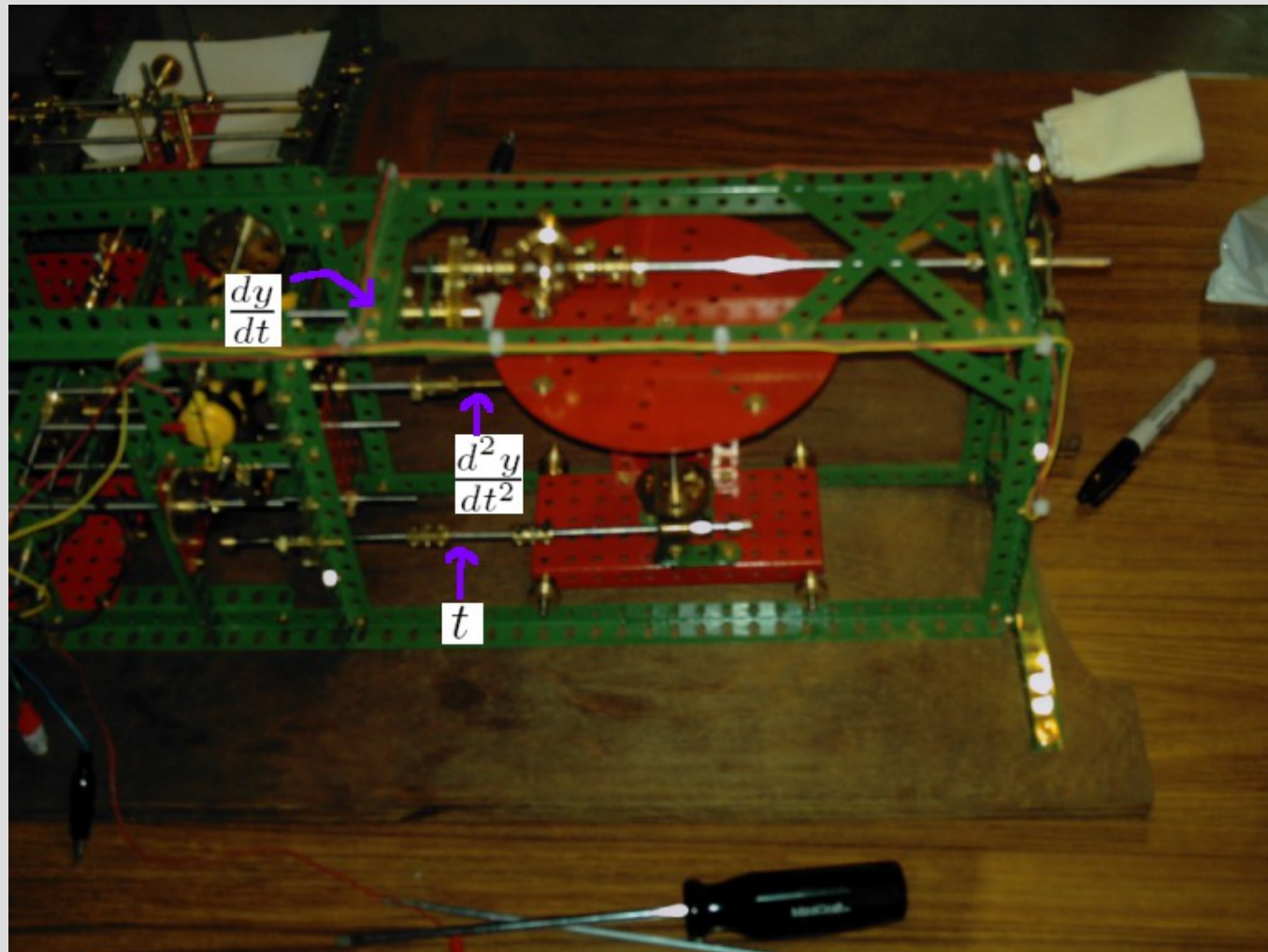
# Marshall's Differential Analyzer



# Schematic of $d^2y/dt^2 = f(y)$



# Schematic Applied to the Machine





# Benefits to Education



# Benefits to Education



# Acknowledgements

I would like to thank Dr. Arthur Porter for supporting the differential analyzer team, our advisors Dr. Bonita Lawrence and Dr. Clayton Brooks, Tim Robinson, Dr. Steven Kopp – President of Marshall University, Marshall University Foundation – Bliss Livingston Charles Estate (project benefactors), Dr. Sarah Denman – Marshall University Provost, Dr. Paul Hill – West Virginia EpScor, Dr. Ralph Oberste-Vorth – Chairman of Marshall's Mathematics Department, and Dr. Andrew Rogerson – Dean of the College of Science at Marshall